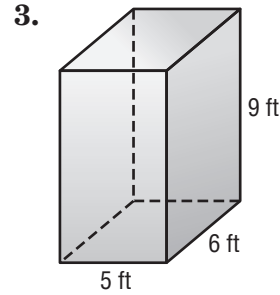
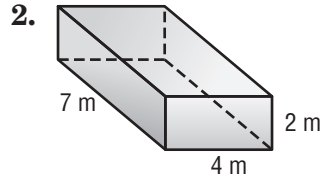
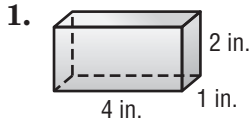


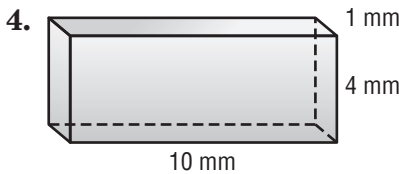
# Lesson 1 Skills Practice

## Volume of Rectangular Prisms

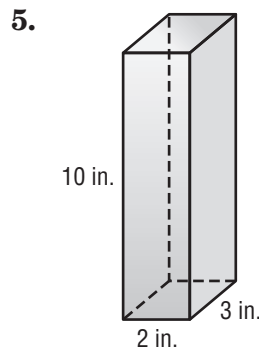
Find the volume of each prism.



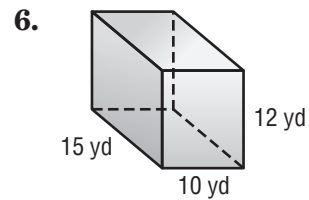
**$8 \text{ in}^3$**



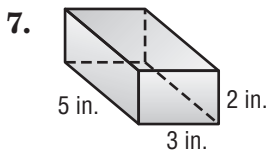
**$56 \text{ m}^3$**



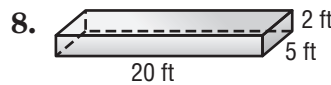
**$270 \text{ ft}^3$**



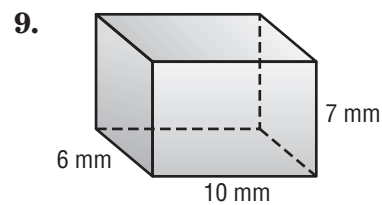
**$40 \text{ mm}^3$**



**$60 \text{ in}^3$**



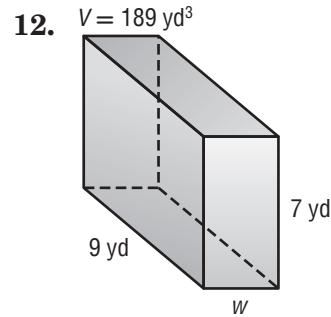
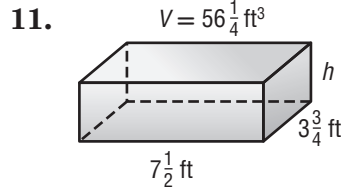
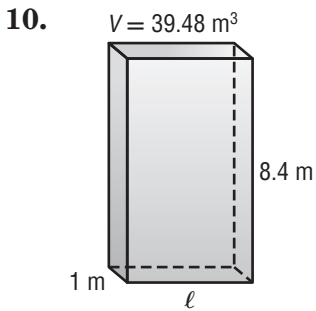
**$1,800 \text{ yd}^3$**



**$30 \text{ in}^3$**

**$200 \text{ ft}^3$**

Find the missing dimension of each prism.



**4.7 m**

**2 ft**

**3 yd**

13. Find the volume of a rectangular prism with length 9 meters, width 4 meters, and height 5 meters.  **$180 \text{ m}^3$**

14. What is the volume of a rectangular prism with length 6 yards, width 3 yards, and a height of 2 yards?  **$36 \text{ yd}^3$**