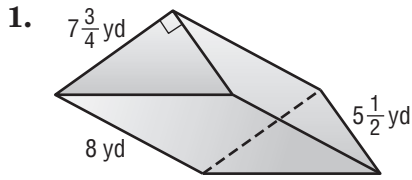


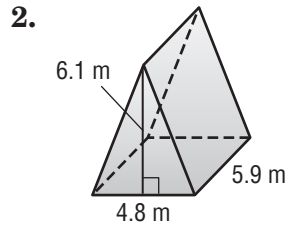
Lesson 2 Skills Practice

Volume of Triangular Prisms

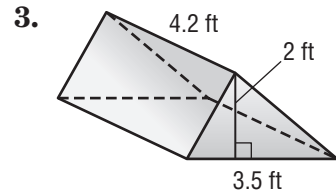
Find the volume of each prism. Round to the nearest tenth if necessary.



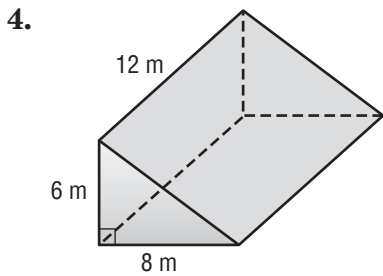
$170\frac{1}{2} \text{ yd}^3$



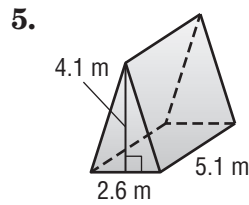
86.4 m^3



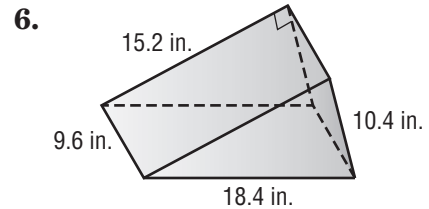
14.7 ft^3



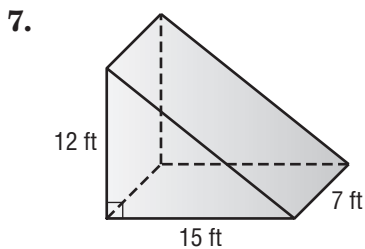
288 m^3



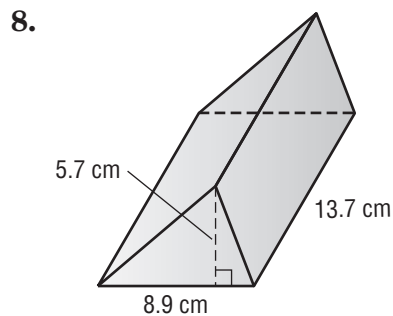
27.2 m^3



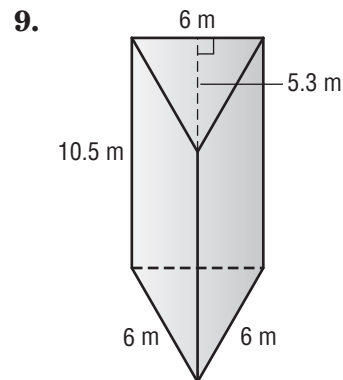
758.8 in^3



630 ft^3



347.5 cm^3



167 m^3

Copyright © The McGraw-Hill Companies, Inc. Permission is granted to reproduce for classroom use.