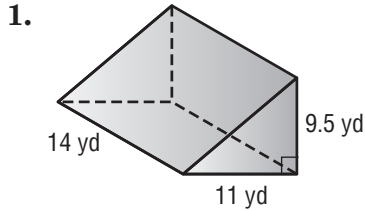


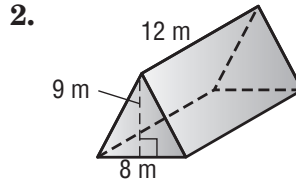
Lesson 2 Homework Practice

Volume of Triangular Prisms

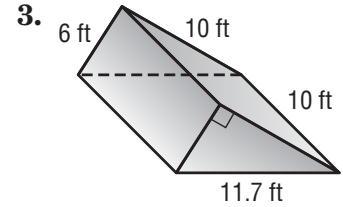
Find the volume of each prism. Round to the nearest tenth if necessary.



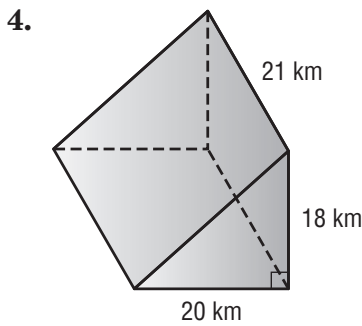
731.5 yd³



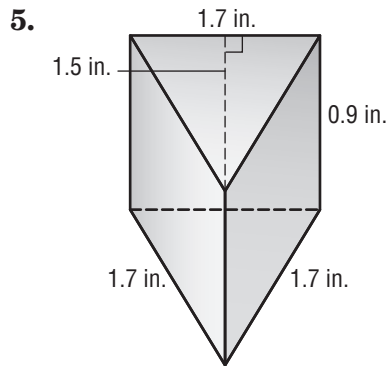
432 m³



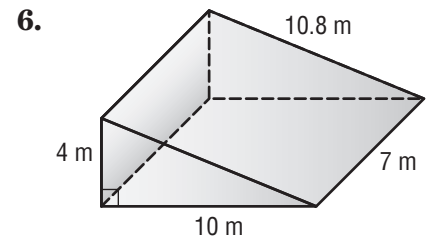
300 ft³



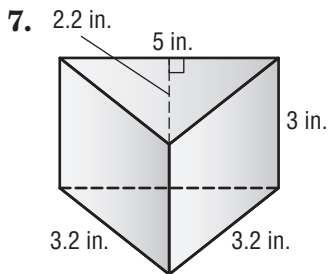
3,780 km³



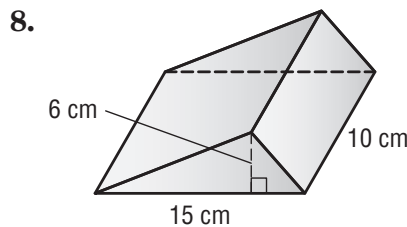
1.1 in³



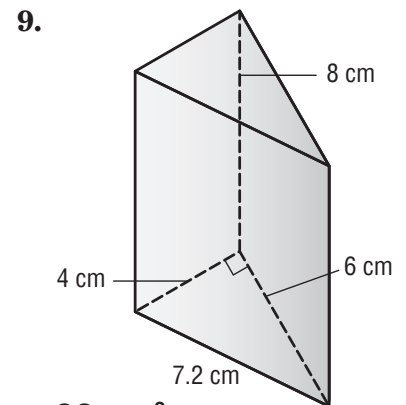
140 m³



16.5 in³



450 cm³



96 cm³

10. **WEDGE** The base of a triangular door wedge has an area of 55 square centimeters. The height of the wedge is 5 centimeters. Find the volume of the door wedge. **275 cm³**

11. **GAME** A wooden peg game in the shape of a triangular prism is 2 inches tall. The triangle has a base of 12 inches and a height of 9 inches. Find the volume of the game. **108 in³**