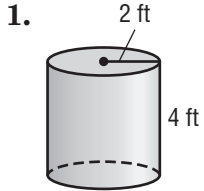


# Lesson 4 Skills Practice

## Surface Area of Cylinders

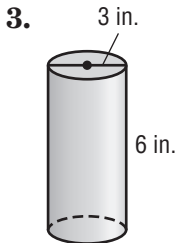
Find the total surface area of each cylinder. Round to the nearest tenth.



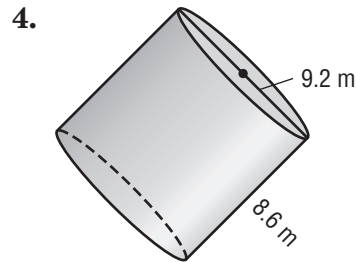
**75.4 ft<sup>2</sup>**



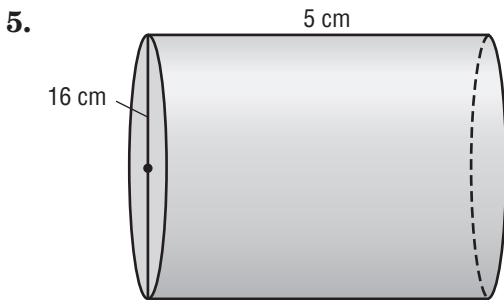
**50.3 yd<sup>2</sup>**



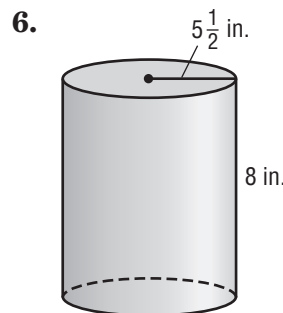
**70.7 in<sup>2</sup>**



**381.5 m<sup>2</sup>**



**653.5 cm<sup>2</sup>**



**466.5 in<sup>2</sup>**

7. **VASE** A cylindrical vase is 10 inches tall and has a diameter of 3 inches. Find the surface area of the vase. Round to the nearest tenth. (*Hint:* The top of the vase is open.)  
**101.3 in<sup>2</sup>**